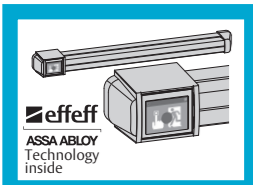


Read this manual thoroughly before use and keep it in a safe place for later reference. The manual contains important information for the safe mounting and installation of the product. These instructions and all documents and certificates accompanying the products must be handed over to the operator of the system.

Intended use



Electrical locking devices of doors along escape routes are intended for use in commercial applications. The product has been designed for safeguarding escape routes and has been tested to the requirements specified in the German guidelines on electrical locking systems for doors in escape routes (EltVTR) and DIN EN 13637:2015. Deviating uses or device combinations not described in the approval are not permitted.

ASSA ABLOY Sicherheitstechnik GmbH can provide the necessary planning information for approved solutions and the device combinations required for your application. The usage must be coordinated with the requirements of the inspection authorities. Contact the responsible inspection authority for this purpose.

Compliance with all relevant inspection authority requirements is mandatory for use, particularly with respect to the

- coordination of the safety concept with the responsible inspection authority and
- modifications of door elements.

The device is suitable for installation, configuration and use, according to these instructions. Any use beyond this is deemed as non-intended use; device combinations which are not described are not permitted.

ASSA ABLOY
Sicherheitstechnik GmbH
Bildstockstrasse 20
72458 Albstadt
GERMANY
Tel. +49 7431 12 30
Fax +49 7431 123 240
albstadt@assaabloy.com
www.assaabloyopeningsolutions.de

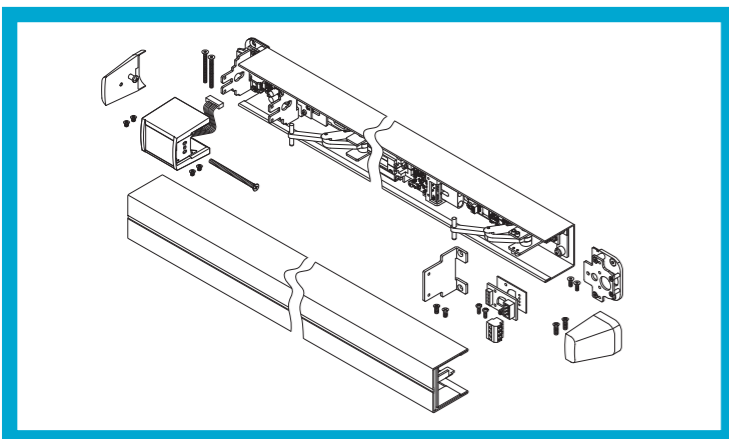


Documentation
for ePED®



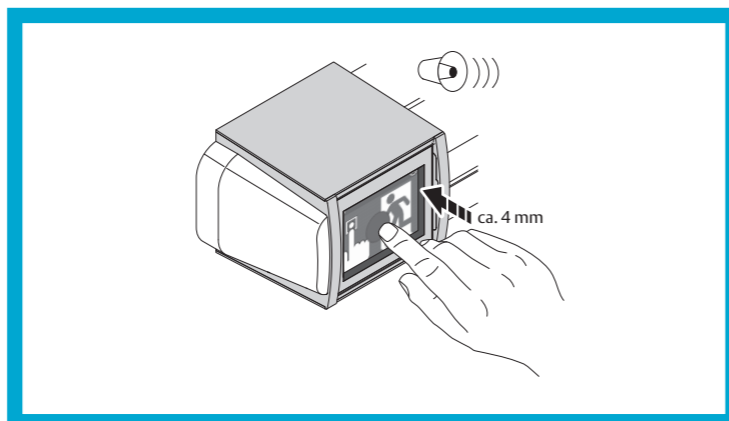
<https://aa-st.de/file/D01202>

Scope of delivery



Emergency switch function

Pressing the red area in the centre initiates a release and a pre-alarm is triggered. The emergency switch function is triggered if the display is pressed or – if also activated – the push bar is pressed.



Safety instructions

Target group

Assembly work must be carried out by a specialist in the relevant trade or suitably qualified personnel depending on the type of work.

The electrical installation, commissioning and configuration of the product must be carried out by an electrician, with expertise in escape-door control systems certified by ASSA ABLOY in accordance with the building authority requirements for electromechanical locking devices for doors in escape routes.

The qualified persons are obliged to apply the recognised rules of technology, inspection directives of the federal states and to update this knowledge on a regular basis.

Meaning of the symbols

! Danger!

Safety notice: Failure to observe these warnings will lead to death or serious injury.

! Warning!

Safety notice: Failure to observe these warnings may lead to death or serious injury.

! Caution!

Safety notice: Failure to observe these warnings can lead to injury.

! Attention!

Note: Failure to observe these warnings can lead to property damage and impair the function of the product.

i Note!

Note: Additional information on operating the product.

! Attention!

Limitation of function with incorrect operating voltage at the components. A suitable power supply unit must be used (technical data). The appropriate mains adapter, cable lengths, and cable cross sections must be chosen according to the local circumstances. Check and ensure that the operating voltage at the connection points is suitable for the components.

! Warning!

Danger arising from modification of the product: The safety features of this product are an essential requirement for its conformity with EltVTR and DIN EN 13637. Changes other than those described in this manual may not be undertaken.

Danger due to missing Emergency Open button on the escape door: If the release of the escape door is centrally controlled, it is no longer possible to independently choose to exit the danger area in the case of danger. This always requires an approval from the responsible inspection authority. Normally, a constantly manned station equipped with a central release mechanism is prerequisite for the approval.

Danger due to faulty commissioning: In order to ensure the safety of the product, commissioning must be performed by a qualified person. ASSA ABLOY Sicherheitstechnik GmbH offers training for qualification in the requisite skills.

Danger due to faulty maintenance: The owner is responsible for correct installation and functional inspection of the product and connected components. The safe function must be tested by a trained qualified expert at least once per year. Requirements established by inspection authorities must be complied with. ASSA ABLOY Sicherheitstechnik GmbH offers training for qualification in the requisite skills.

Danger arising from tampering or improperly performed repairs: If the ePED® panic push bar N3 or parts of the device cannot resume normal operation after a fault or alarm message, or damage is present, the device may only be repaired by a qualified person. Please contact the customer service of the installation company or the support department of ASSA ABLOY Sicherheitstechnik GmbH.

Safety-related instructions for commissioning, configuration and maintenance

i Note!

Commissioning: All Hi-O technology™ devices must be connected to the bus for the configuration. Then the operating voltage is switched on. Subsequently connected devices are only recognised after renewed connection of the operating voltage.

At least one Emergency Open module is always necessary for operation of the RWT locking module.

Safety requirements

Safety requirements during commissioning include:

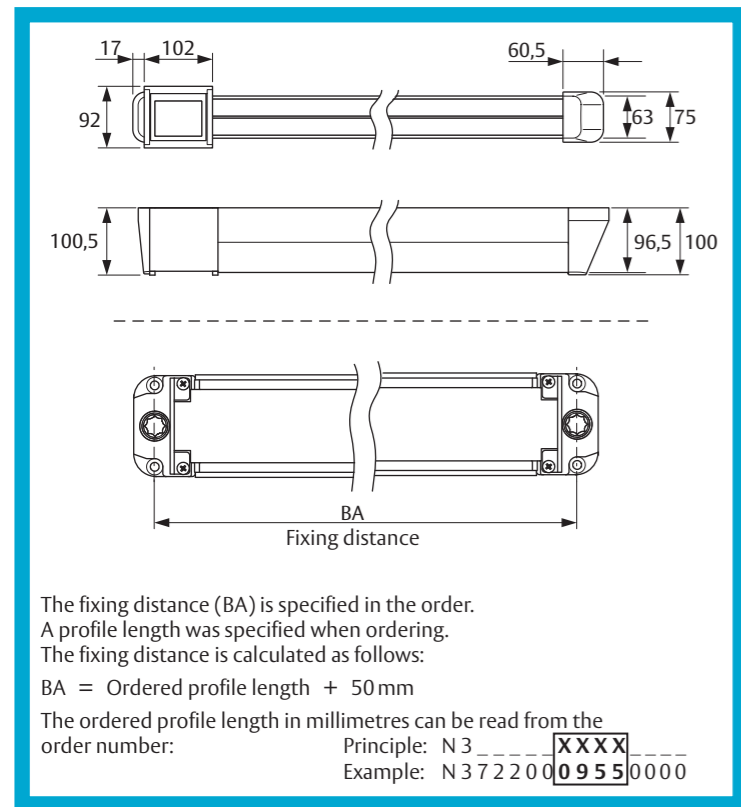
- The owner has received a confirmation of approval for use from the inspection authorities;
- Conformity of the products with the approval according to EltVTR
- Mounting according to the installation manual;
- Testing of the unimpeded opening and closing function of the doors with the escape route securing system deactivated;
- Bolting of the doors after activation of the escape route securing system.
- Allows the doors to be opened after actuation of the Emergency Open push-button(s).
- The function must be tested when connected to the fire alarm system.
- The commissioning must be documented. ASSA ABLOY Sicherheitstechnik GmbH offers a test log book for this purpose

! Warning!

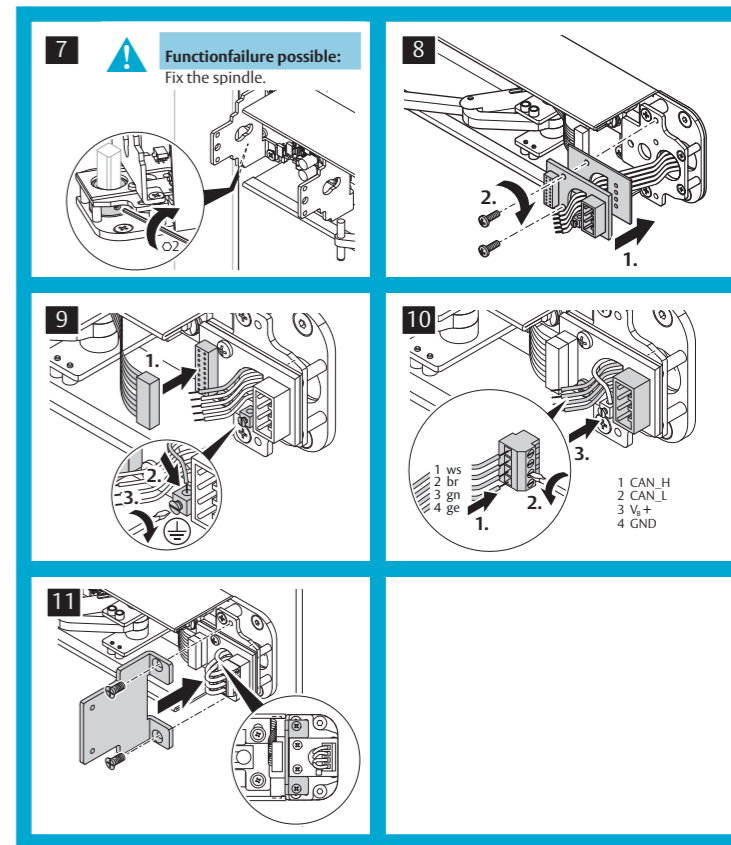
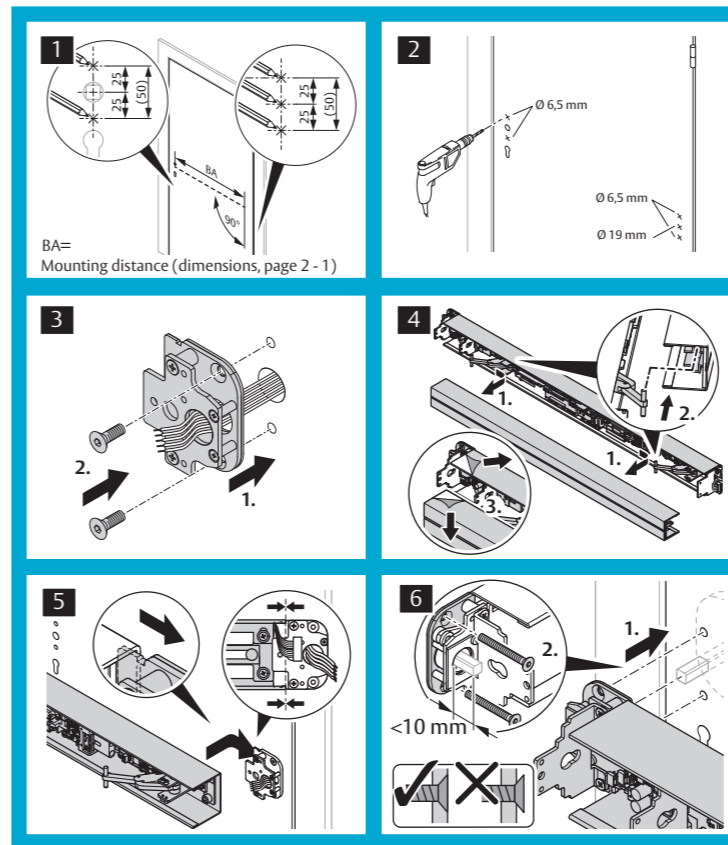
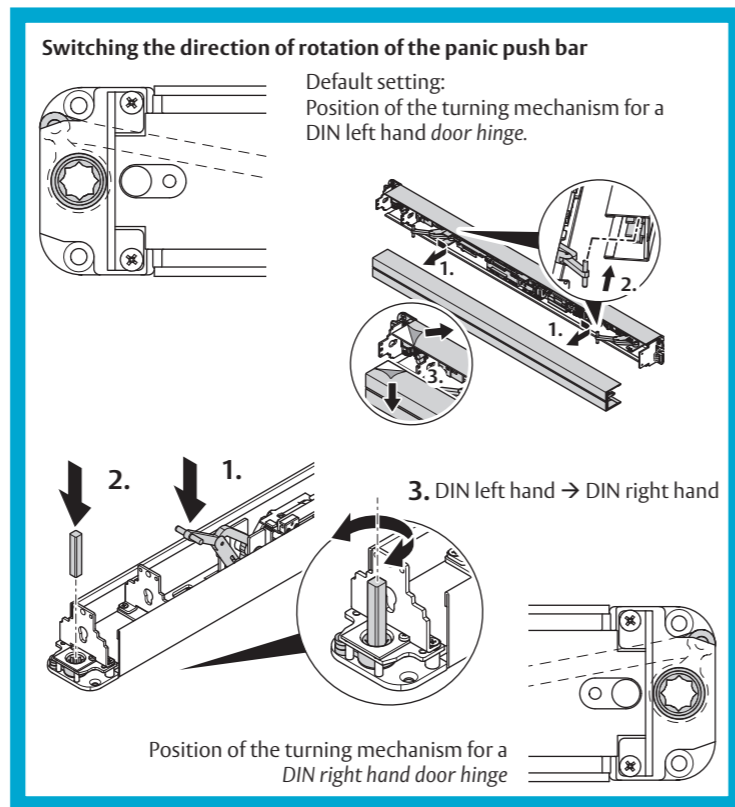
Danger due to faulty or improperly performed maintenance: The owner is responsible for correct installation and functional inspection of the product and connected components.

- The safe function must be tested by a trained qualified expert **at least once per year.**
- Requirements established by inspection authorities must be complied with.

Dimensions

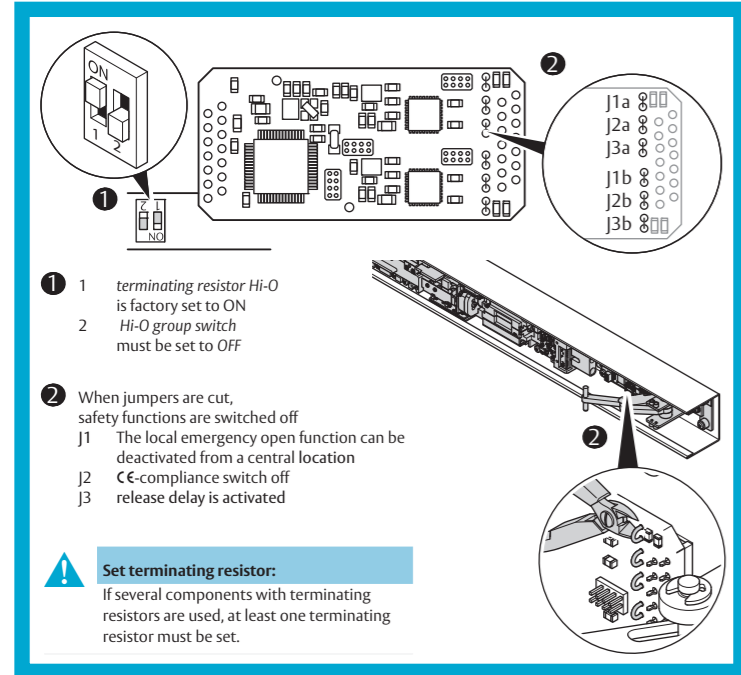


Optional – Preparing DIN right hand door hinge



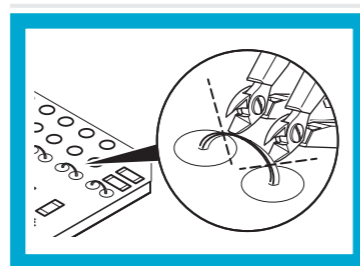
Configuring safety functions

Via the integrated ePED® interface for locking systems 1386S00, safety functions are switched off by disconnecting jumpers on the circuit board. There are two separate jumpers which form a jumper pair for each safety function. Both jumpers in a jumper pair must always have the same status.



Attention!

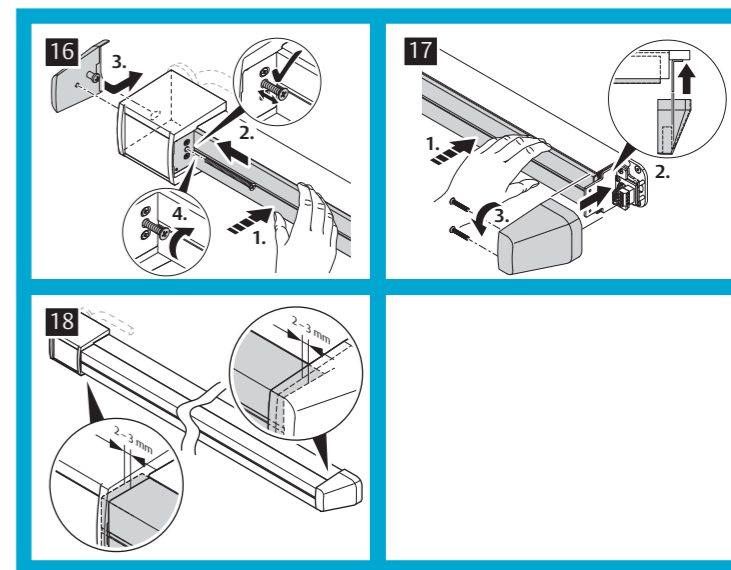
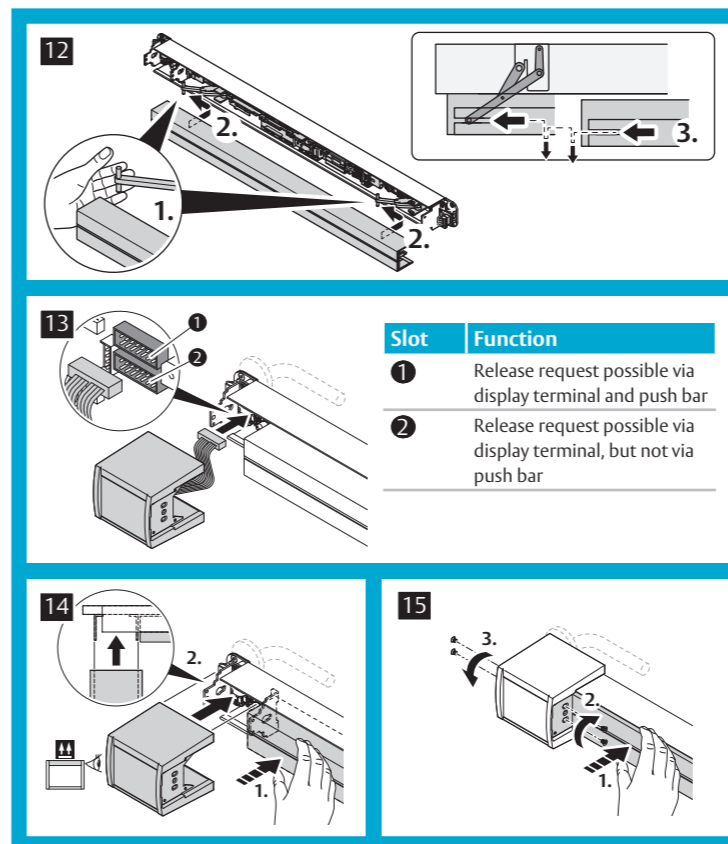
Property damage due to the severing of a jumper with electrical current switched on: Before disconnecting a jumper, the ePED® panic push bar N3 must be deenergised.



- 1 Refer to the table to determine which jumpers must be severed in order to switch on or reverse safety functions.
- 2 Sever the jumpers by making two cuts in one segment to ensure that the contact has been disconnected.

Jumper pairs			Central station ¹ can deactivate local Emergency Open	CE-conformity	Maximum release delay
J1a/J1b	J2a/J2b	J3a/J3b			
			-	Yes	none
			-	Yes	t ₁ 1 s... 15 s t ₂ 1 s... 180 s ¹
			Yes	Yes	t ₁ 1 s... 15 s t ₂ 1 s... 180 s ¹
			-	No	t ₁ 1 s... 120 s t ₂ 1 s... 300 s ¹
			Yes	No	t ₁ 1 s... 120 s t ₂ 1 s... 300 s ¹

¹ Only possible in combination with the central control unit 1386CMC.



Initial commissioning

Initial commissioning must be documented and all measured values must be recorded.

ASSA ABLOY offers an inspection manual (D01350xx) for this purpose.

Checklist for functional testing

- 1 Make sure that all components used comply with all test certificates.
- 2 Ensure that the door and all provided parts (panic door lock, lock counterparts, coverings, driving flaps, door closers) are mounted completely and correctly.
- 3 Ensure that the panic door lock and the door are function correctly and entirely as intended.
 - 3.1 The door must open in the direction of escape.
 - 3.2 After actuating the push rod, the door can swing open freely.
 - 3.3 External access device does not impede actuation of the panic door system.
 - 3.4 The door can return to the locked position.
- 4 Ensure that door seals (profile seals, bottom seals) do not prevent the correct function.
- 5 Ensure that the blocking elements (i.e. the lock) and lock counterparts (i.e. the striking plate or the electric strike) are mounted correctly so that
 - 5.1 safe intervention is possible and
 - 5.2 the overhang of the retracted blocking elements does not impede free movement of the door.
- 6 Measure the actuating forces for releasing the escape door system.

- 7 For double-leaf doors:

Ensure, particularly for double-leaf doors with a rebated meeting stile where both door leaves are equipped with panic door locks, that

 - 7.1 each door leaf opens when its panic door lock is operated and
 - 7.2 both leaves open freely if both door leaves are actuated at the same time.

It may be necessary to use a driving flap (e.g. *OneSystem driving flap*) for the movement of the active leaf for this application.

 - 7.3 Mount a follower in accordance with DIN EN 1158 for double-leaf doors with a rebated meeting stile and door closers, particularly on fire and smoke protection doors.
- 8 If a door closer is also mounted, ensure that children, the elderly and infirm persons can operate and pass through the door unimpeded.

Checklist – mounting on a fire and smoke protection door

- 1 Ensure that the panic door lock is suitable for fire and smoke protection doors.
 - 1.1 For this purpose, check which panic door lock was tested for certification of the fire and smoke protection door.
 - 1.2 Check that the approval and installation instructions of the door match.
- 2 If the panic door lock permits automatic re-locking, this must not be triggered inadvertently when the door is open, whereby automatic locking of the fire and smoke protection door is prevented.

Maintenance

Checklist - for checking the electrical trigger action

- 1 Make sure that all components are complete and properly connected.
- Use the *ePED service software* and the *installation wizard* to commission and check the functionality of the electrically controlled escape door system.
- 2 Make sure that the immediate release of all interlocks works after a power cut.
 - 3 Ensure that the immediate release of the electrical interlock operates after receipt of the alarm system signal.

If applicable: Also applicable with restricted alarm.
 - 4 The pictogram for the function of the release element and labelling must be available.
 - 5 With the integrated touch display, the display must function and the additional labelling must be present.
 - 6 Make sure that the release works when the local release element is activated:
 - immediately against the loaded door,
 - optional - the time delay function,
 - the reset to operating status,
 - the remote reset procedure.
 - 7 Optional - Make sure that the central escape route system is working:
 - Release upon actuation of the local release element:
 - immediately against the loaded door,
 - optional - the time delay function,
 - optional - extended time delay.
 - Release tests when the central release element is actuated:
 - immediately against the loaded door.

Maintenance must be performed and documented on a regular basis. All measurements must be recorded.

ASSA ABLOY offers an inspection manual (D01350xx) for this purpose.

Checklist – for maintenance

- To ensure serviceability, the following routine maintenance checks must be performed at intervals not exceeding one year:
- The maintenance and function test of the electrically controlled escape door system is carried out using *ePED service software* and the maintenance wizard.
 - The specifications in the installation instructions and the safety instructions for the lock used must be observed and followed.
 - The escape door system must be inspected and operated to ensure that all components are in proper operating condition.
 - The actuating forces for releasing the escape door system must be measured and recorded with a force meter. The actuating forces must not have changed significantly compared to the actuating forces recorded during initial installation.
 - Ensure:
 - that the lock counterparts are not blocked or jammed,
 - that all fasteners are secure,
 - that the escape door lock is lubricated according to the manufacturer's instructions,
 - that no additional locking devices have been retroactively added to the door,
 - all components of the escape door system still correspond to the list of approved components originally supplied with the system.

Initial commissioning

An interface for locking devices is integrated into the ePED® panic push bar N37. The interfaces are logically linked to the associated Emergency Open buttons during commissioning. In this case, this is the panic push bar itself.

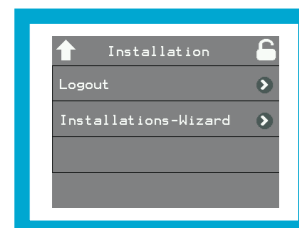
All devices are connected to the Hi-O-Technology™ bus for the initial commissioning, but are not configured yet. If the voltage supply is switched on, the system is in plug and play mode.

Once it has been started, the installation wizard dialogue shows a series of confirmation messages and user prompts.

Note!

Process the entire dialogue sequence: If a dialogue is closed via the *Cancel* key or if the displayed action is not carried out, the installation must be started again from the beginning. The RWT system configuration has not taken place and the system cannot be locked.

Using the installation wizard



- 1 Press the
 - *Continue* or *OK* button if the entire dialogue message is correct or if you have taken the necessary action,
 - the *Cancel* button if any part of the dialogue message is incorrect or if you have not taken the necessary action.

- ⇒ The installation is finished if you have been able to exit all messages with the *Continue* or *OK* button.
- ⇒ When the installation is complete, the door terminal is in normal operation status.

Configuration

Note!

Commissioning: All Hi-O technology™ devices must be connected to the bus for the configuration. Then the operating voltage is switched on. Subsequently connected devices are only recognised after renewed connection of the operating voltage.

At least one Emergency Open module is always necessary for operation of the RWT locking module.

Authorisations

There are three authorisation levels:

	Control	Authorisation for calling up information
	Settings	Authorisation for calling up information and restricted configuration
	Installation	Authorisation without restrictions

Each authorisation level is assigned a clear authorisation code in the factory. These authorisation codes must be changed for commissioning. Each authorisation level must be assigned a clear authorisation code once again.

Lock, unlock, reset

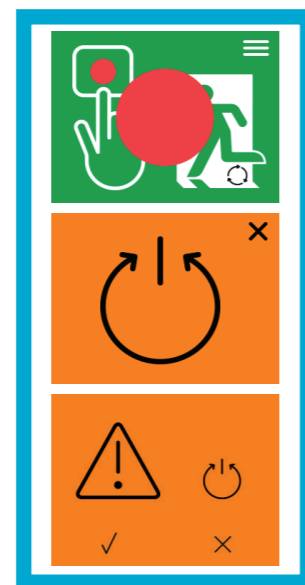
- 1 Press the symbol
 - 2 Enter an authorisation code.
 - 3 Confirm the entry with the [✓] key.
- ⇒ After entering a valid authorisation code, you can unlock the door.

Resetting to factory settings

Resetting to factory settings will lose all changes to the operating data. The device must then be configured.

In the first five seconds after switching on the operating voltage, the device can be reset to the factory settings.

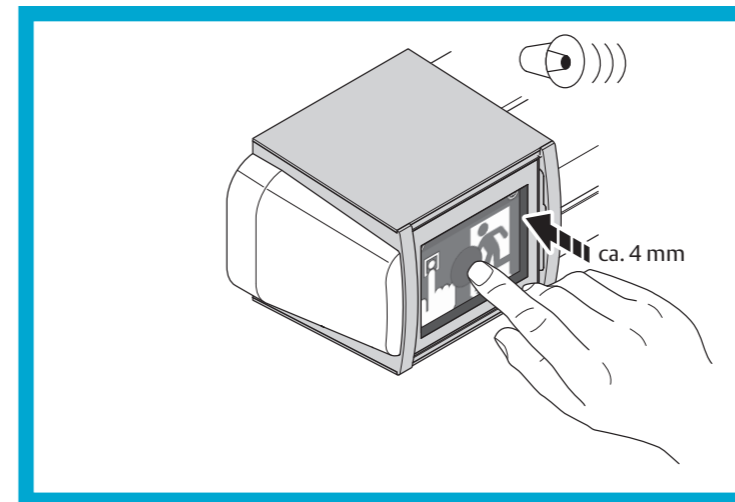
Reset to factory settings



- 2 Switch off the voltage supply for at least 10 seconds.
- 3 Switch the voltage supply on again.
 - ⇒ The symbol is displayed.
- 4 Press the symbol.
- 5 Touch the centre of the screen.
- 6 Confirm the security query.
 - ⇒ After confirmation of the security query, the device is ready for operation again and must be configured.

Emergency switch function

Pressing the red area in the centre initiates a release and a pre-alarm is triggered. The emergency switch function is triggered if the display is pressed.

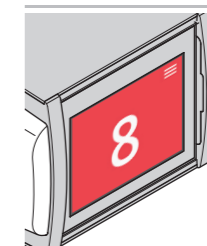


Technical data

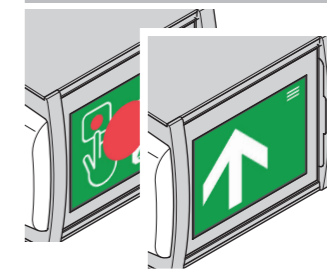
Feature	Characteristic
Voltage supply V_B	via external mains adapter 24V DC (+/-10%) SELV
Power consumption	550 mA
Maximum release delay after pressing of the Emergency Open button	
· DIN EN 13637	
· with local control	15 s
· with central control	180 s
· without CE certification (EU export)	
· with local control	120 s
· with central control	300 s
Hi-O Technology™	
· Control function	Yes
· Bus addresses	3
Backset	from 35mm
Profile length	from 850mm bis 1380mm
Fixing distance	Profile length + 50mm
Application site	for use in indoor areas
Protection rating	IP30 (when completely mounted)
Operating temperature	-10°C – +55°C
Certification in accordance with	EltVTR DIN EN 13637:2015 DIN EN 1125

Authorisation code for control (must be changed) 1 2 3 4
 Authorisation code for settings (must be changed) 7 7 7 7
 Authorisation code for installation (must be changed) 7 8 9 0
 Page 4 – 7

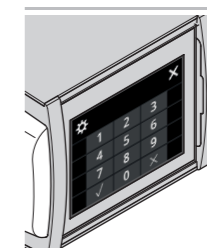
Display



Release delay display (option)
 If the release delay is activated, the remaining wait time is displayed in seconds.



Escape route pictogram and status display
 The ePED® display door terminal 1386D10 shows the relevant pictogram when the escape door is secured and indicates the correct conduct if the door needs to be operated in the event of an emergency.



Operation and configuration
 Authorised users are identified via an authorisation code and are granted access to the configuration and extended operating functions (configuration).

Warranty, disposal

Warranty

The statutory warranty periods and Terms and Conditions of Sale and Delivery of ASSA ABLOY Sicherheitstechnik GmbH apply. Updated information is available at: assaabloyopeningsolutions.de.

Certification



Open Source Licenses
 ASSA ABLOY Sicherheitstechnik GmbH has the source code of the software used in the scope of Open Source licenses (such as FreeRTOS™, newlib, lwIP) available on request: <http://www.assaabloy.com/com/global/opensourcelicense/>



Hi-O Technology™
 is a registered trademark of the ASSA ABLOY Group.



is a registered trademark of ASSA ABLOY Sicherheits GmbH.



The EU declaration of conformity is available in the download area of assaabloyopeningsolutions.de

Disposal

Packaging materials must be recycled. The existing environmental protection regulations must be met.



WEEE-Reg. no. DE 69404980
 The product is to be properly disposed of as electronic scrap after use and to be dropped off at a local collection point, free of charge, for recycling of the materials.