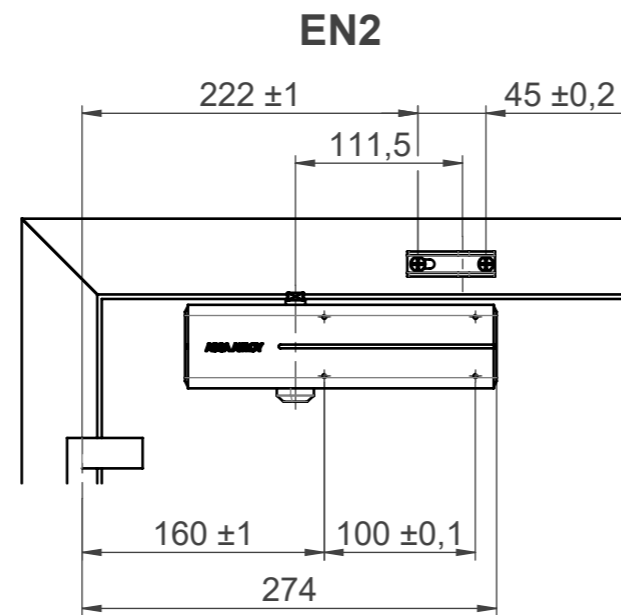
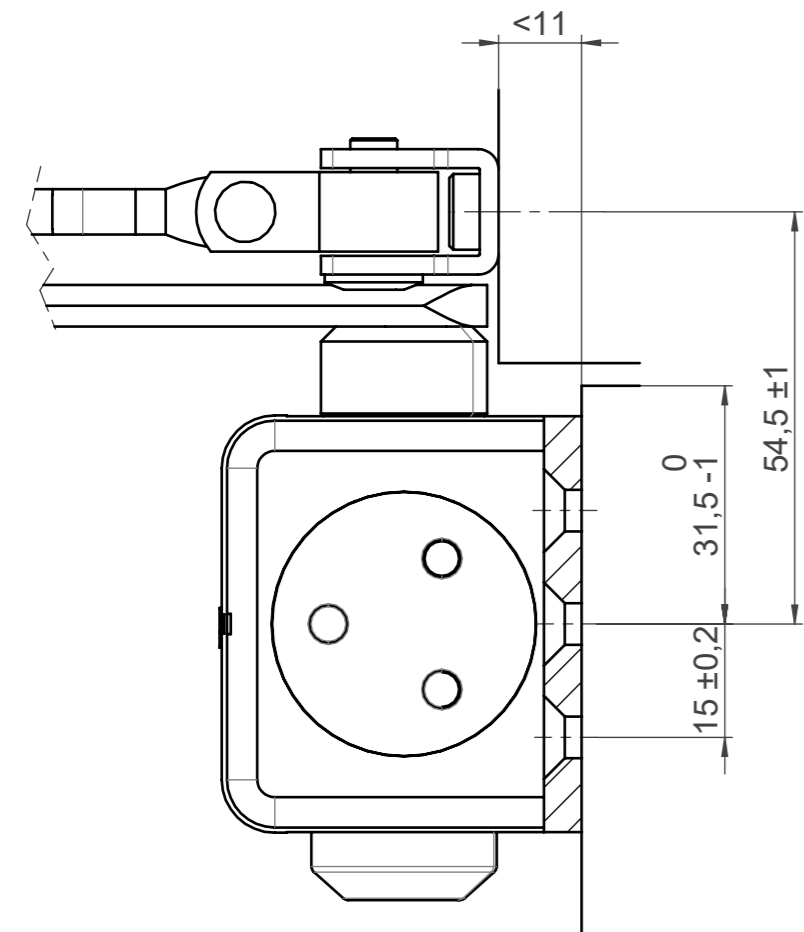
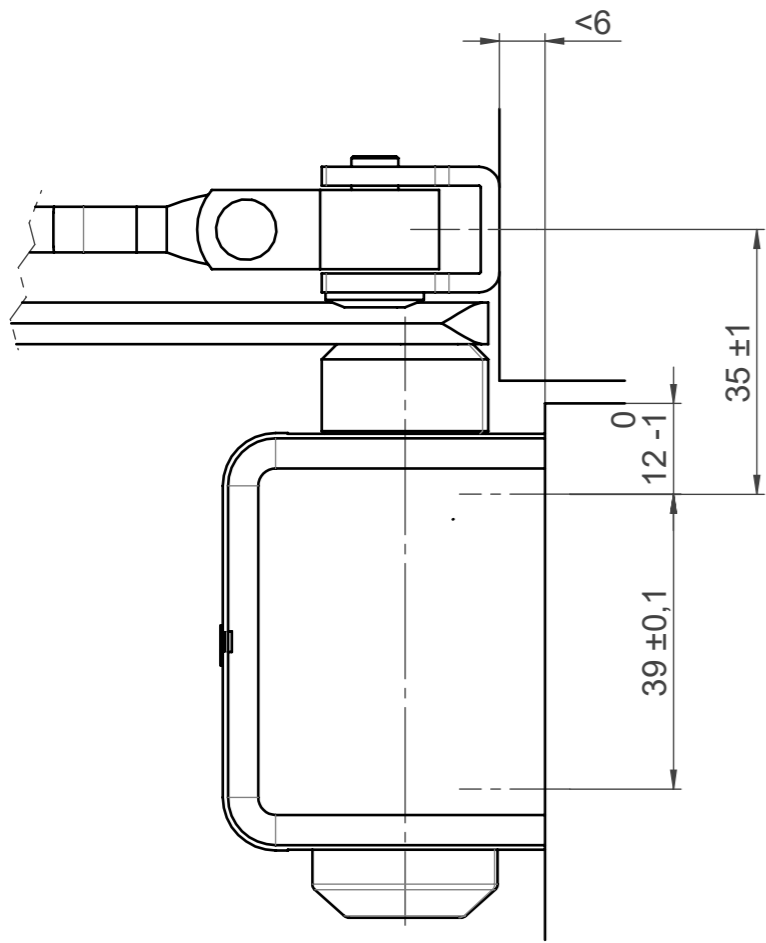
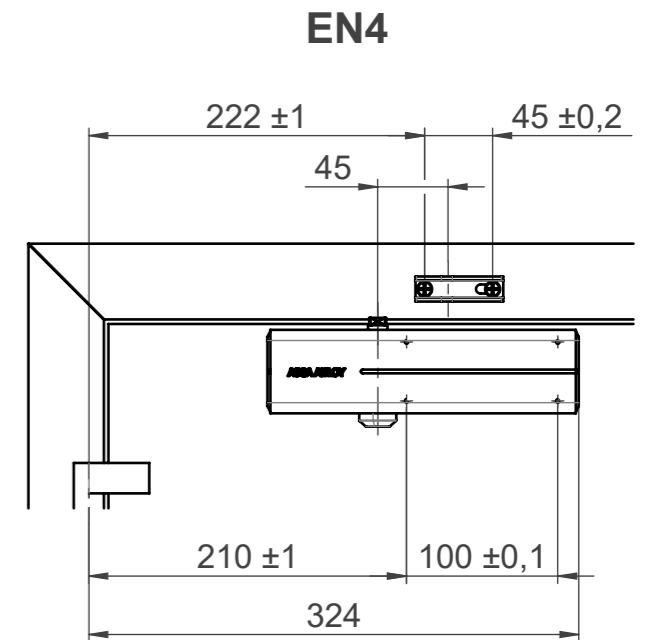
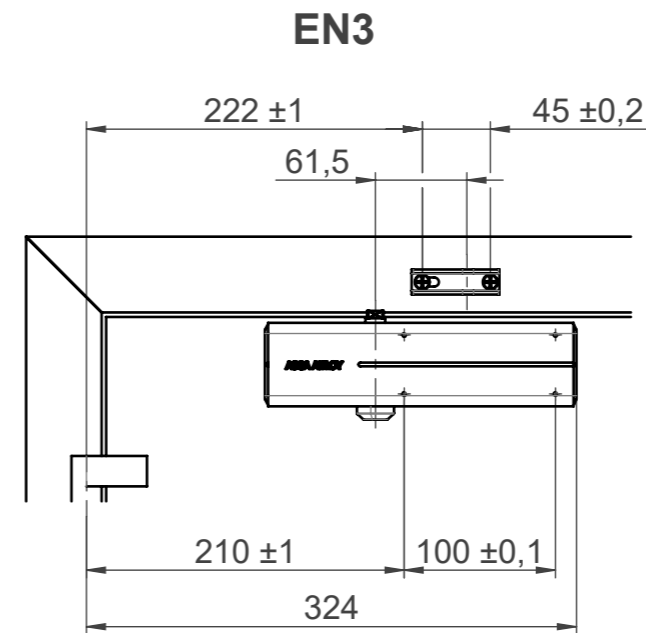


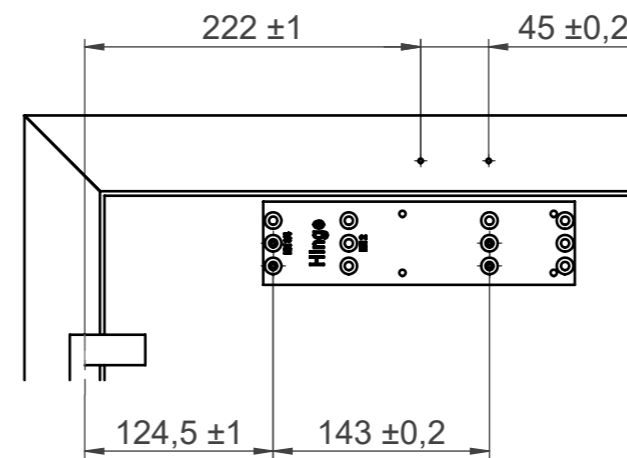
This work is copyright and no part may be reproduced, by any process, nor may any other exclusive right be exercised without the permission of ASSA ABLOY.



**Direktbefestigung  
direct installation**



**Befestigung mit Montageplatte  
installation with mounting plate**



State	Description	Date	Name							
Inspection Dimension				Name local language		DC140 Normalmontage				
Surface treatment:				Material:		General tolerance: ISO 8015 ISO 2768-mH				
Volume: mm <sup>3</sup>	Mass: gram	Surface area: mm <sup>2</sup>	Created (YYYY-MM-DD): 2018-10-12	Designed by: andsau	Drawn by: andsau	Scale: 1:5 (A3)	Projection:			
<b>ASSA ABLOY</b> ASSA ABLOY Sicherheitstechnik GmbH				Door closer accessory standard installation hinge side Normalmontage Bandseite			Alternate ID		Rev.:	
							<b>DC140-1000</b>		<b>D001011957-001</b>	