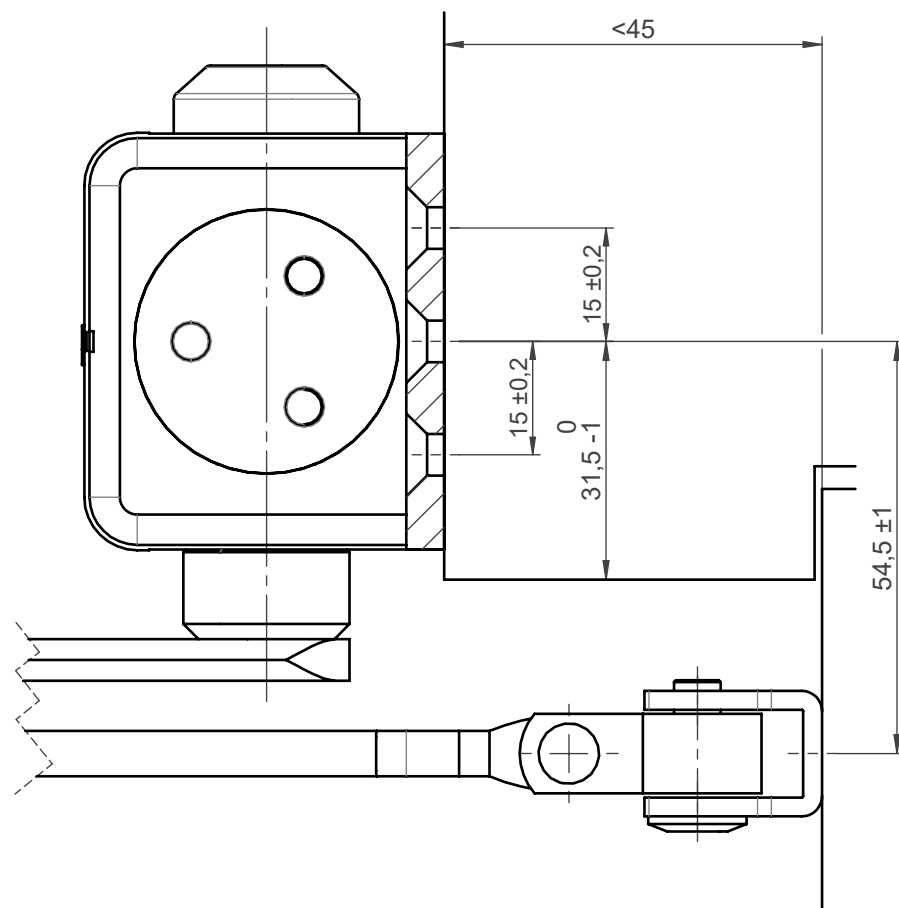
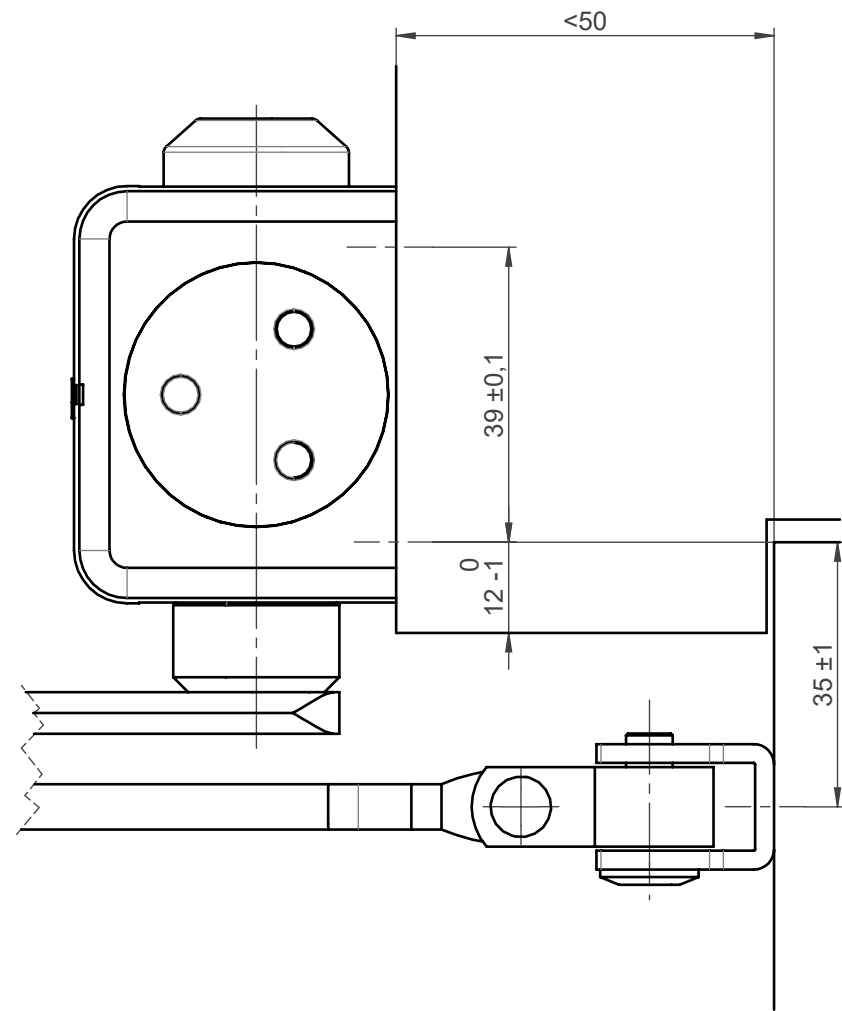
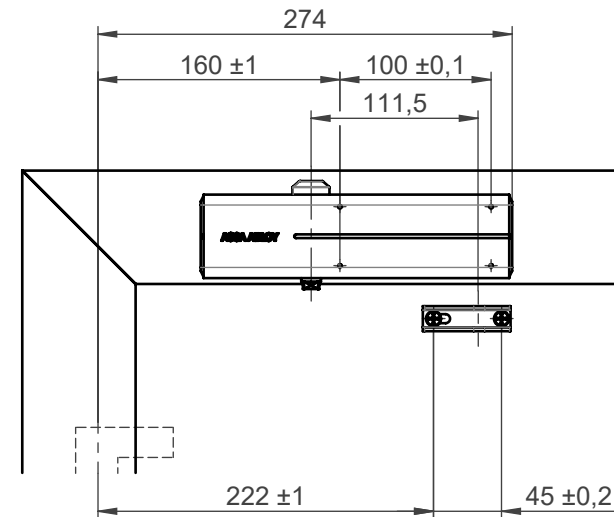


This work is copyright and no part may be reproduced, by any process, nor may any other exclusive right be exercised without the permission of ASSA ABLOY.

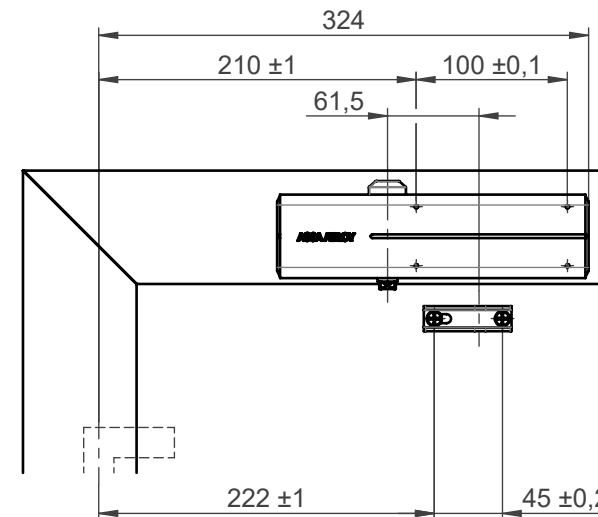


Direktbefestigung
direct installation

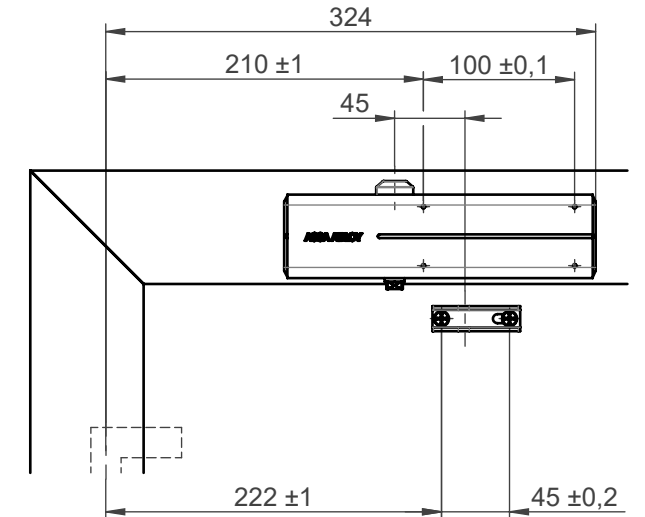
EN2



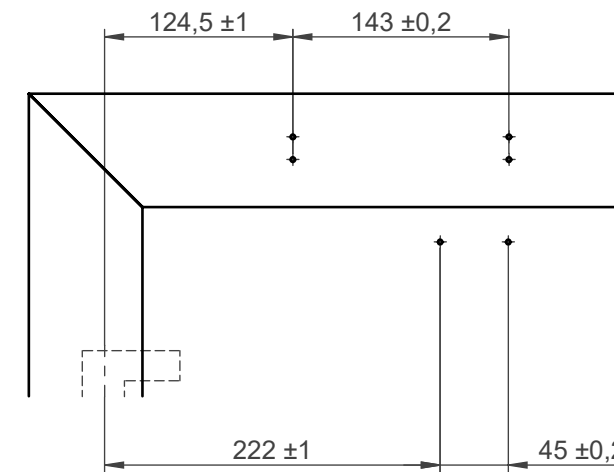
EN3



EN4



Befestigung mit Montageplatte
Installation with mounting plate



State	Description	Date	Name						
Inspection Dimension				Name local language		DC140 Kopfmontage			
Surface treatment:				Material:		General tolerance: ISO 8015 ISO 2768-mH			
Volume:	Mass:	Surface area:	Created (YYYY-MM-DD):	Designed by:	Drawn by:	Scale:	Projection:		
mm ³	gram	mm ²	2018-10-15	andsau	andsau	1:5 (A3)			
ASSA ABLOY				Door		Alternate ID			
ASSA ABLOY Sicherheitstechnik GmbH				frame installation opposite hinge side		DC140-1010			
				Kopfmontage Bandgegenseite		Document ID		Rev.:	
						D001012111-001		1	